



## SimaLube - Accessories Guide

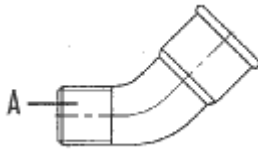
Products

Services

Training

## Accessories

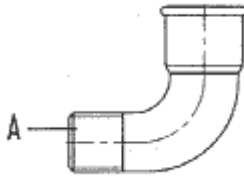
A comprehensive and practical accessory programme enables a smooth application of SimaLube lubricators. The accessory program is arranged in a unit assembly system. I. e. the different parts are compatible and can be combined so that almost every lubricating problem can be solved.



### Connection 45°

A R1/4

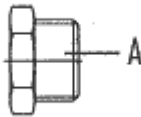
No. 1001



### Connection 90°

A R1/4

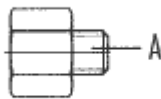
No. 1002



### Connection straight

A R3/8 R1/2

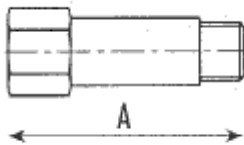
No. 1010 1011



### Reduction

A R1/8 R1/4 M6 M8 M8x1 M10 M10x1 M12 M12x1,5

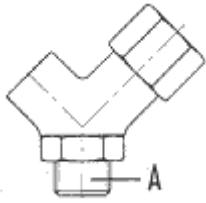
No. 1020 1021 1022 1023 1024 1025 1026 1027 1028



### Extension

A 10 35 50 [mm]

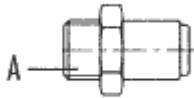
No. 1021 1040 1041



<b>Y-Manifold</b> (contains reduction 1021)	
A	R1/4
No.	1050



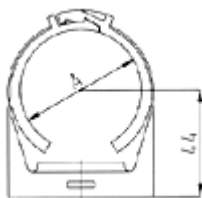
<b>Quick connection coupling</b> (for hose d=8mm)	
A	R1/4
No.	1060



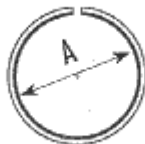
<b>Quick connection coupling</b> (for hose d=8mm)			
A	R1/8	R1/4	R3/8
No.	1070	1071	1072



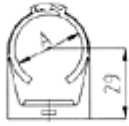
<b>Hose</b> (recommended length to the lubrication point max 0,5m) d=8/6mm	
A	per meter
No.	2000/..m



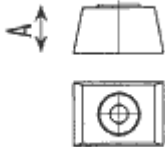
<b>Clamp for simalube</b>	
A	50 [mm]
No.	2010



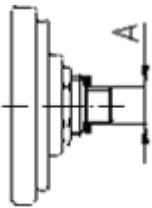
<b>Adapter for Perma clamp</b>	
A	28 [mm]
No.	2012



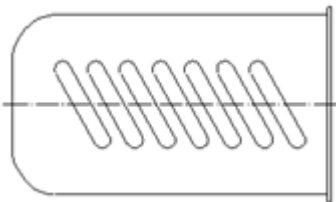
Clamp for round brush		
A	28	[mm]
No.	2013	



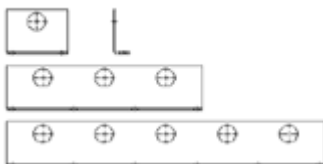
Distance holder to clamp for round brush		
A	15	
No.	2014	



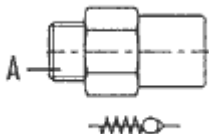
Mounting support consisting of flange, connection straight R1/4 nut		
A	2080	



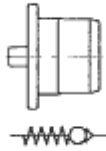
Protection cover to mounting support (metal)		
A	2081	



Mounting bracket to mounting support			
	1-fold length 75 mm	3-fold length 240mm	5-fold length 390 mm
No.	2082	2083	2084

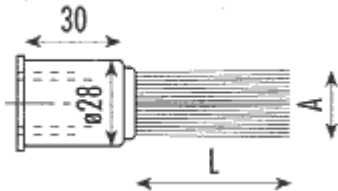


Non return valve (metal)		
A	R1/8	R1/4
No.	2020	2021



**Non return valve plug (plastic)**

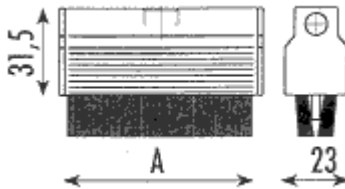
No. 5060



**Round brush**

Axl. d=25x45

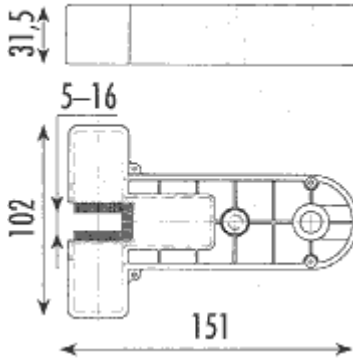
No. 2034



**Square brushes**

A	25	40	70	100	
---	----	----	----	-----	--

No.	2038	2035	2036	2037	
-----	------	------	------	------	--



**Elevator brush**

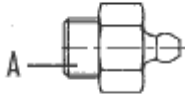
A 2039



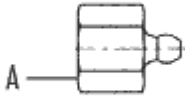
**Grease gun (with valve pipe)**

DIN 1283

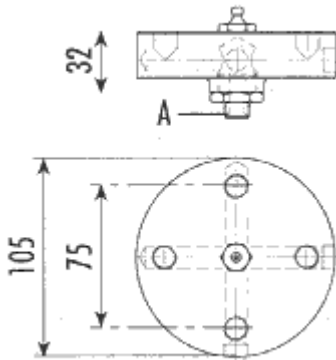
No. 3010



<b>Connector nipple</b> (for clearing and filling of grease lines)	
A	R1/4
No.	3011



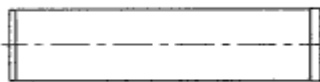
<b>Refill nipple</b> (for refilling of simalube)	
A	R1/4
No.	3012



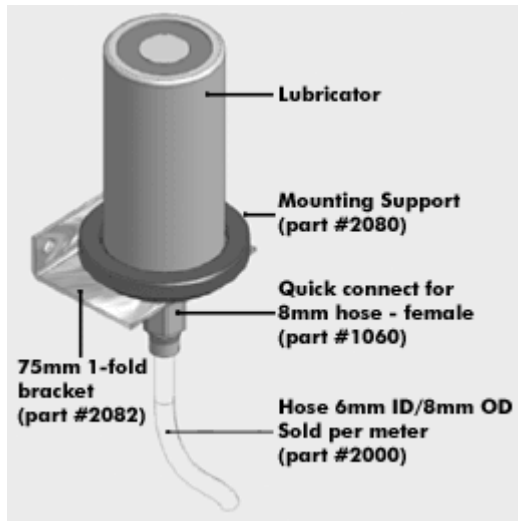
<b>4-fold adapter</b>		
A	1/2"	1/4"
No.	4100	4101



<b>Gas generator</b>		
	simalube	simalube <shorty>
No.	5000	5002



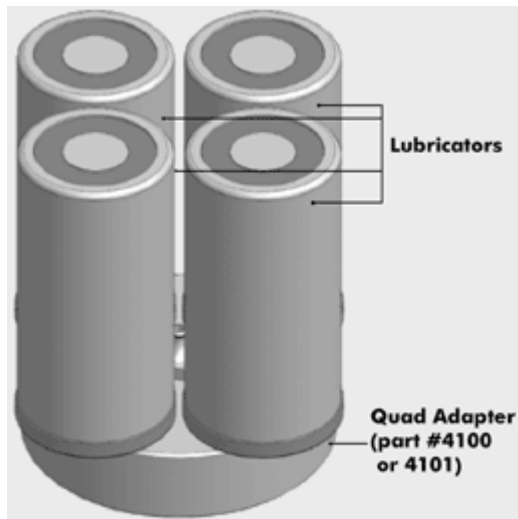
<b>Cartouche</b> (DIN 1284; 400ml)						
Grease	SL 01	SL 02	SL 04	SL 06	SL 09	SL 10
No.	KA 01	KA 02	KA 04	KA 06	KA 09	KA 10



**simalube® cartridge with bracket and hose**

Giving you the flexibility to mount the cartridge

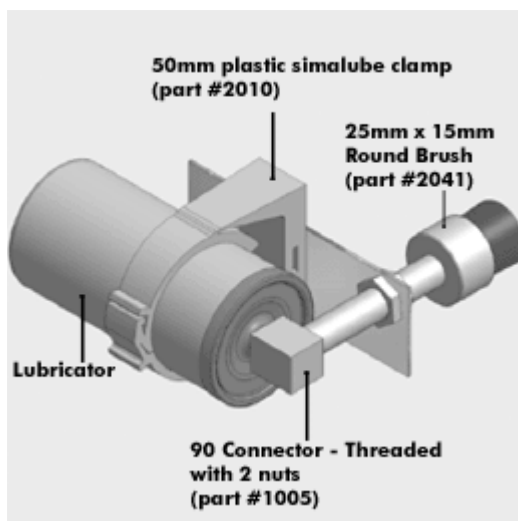
where easy access permits, this assembly allows the technician to easily and reliably lubricate hard to reach lube points.



**simalube® Quad adapter with cartridges**

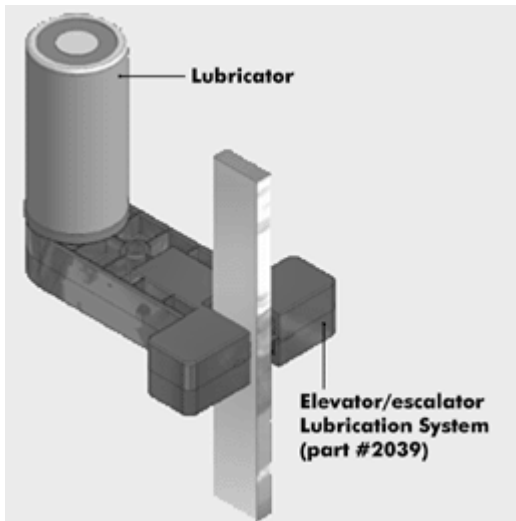
For applications where more lubricant is needed

than is provided in a single **simalube®** cartridge, the quad adapter lets you gang four cartridges into a single manifold.



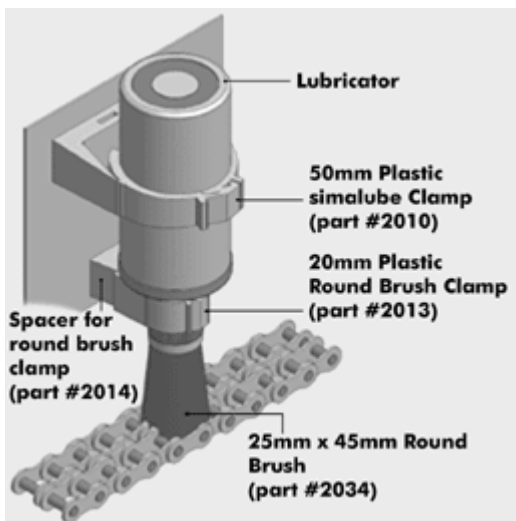
**simalube® lubricator with 90 degree connector and round brush**

The **simalube®** round brush allows for continuous lubrication of cables, glides and conveyors.



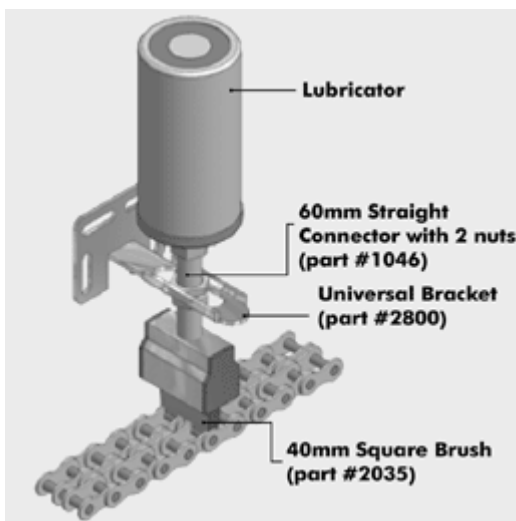
**simalube® Elevator/escalator lubrication system**

Specifically designed for perpetual lubrication of critical rails, the **simalube®** rail brushes lubricate both sides of a rail at once.



**simalube® chain lubricator set-up (round brush)**

Manufactured specifically to continuously lubricate smaller chains, the round brush is perfect for countless applications.



**simalube® chain lubricator set up (square brush)**

Similar to the round brush chain oilers, the square brush is made for larger chains. Keep them constantly lubricated with this **simalube®** accessory.